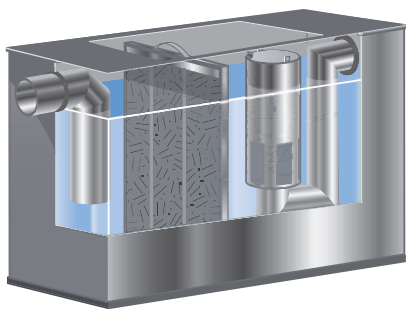


Separating plant for free-standing installation Class I NeutraSteel



A NeutraSteel NS 3-10

Separating plant Class I according to the EN 858-1 standard, consisting of:

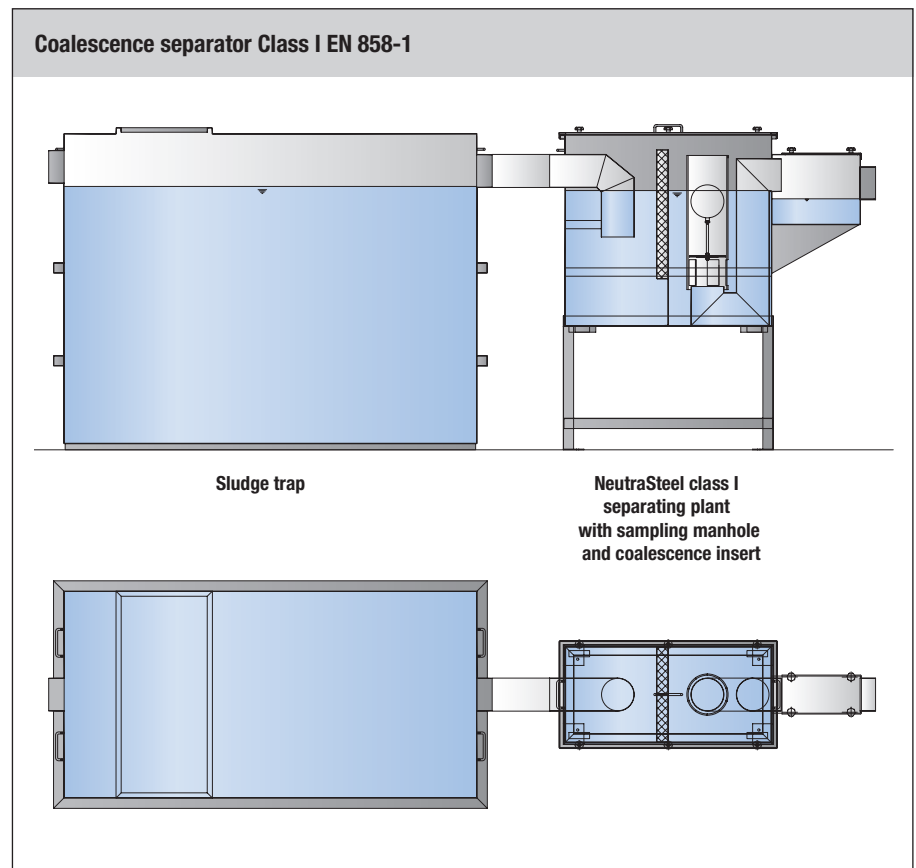
Coalescence separator made from 1.4301 stainless steel with self-closing mechanism for free-standing installation in frost-protected rooms and sludge trap

Use

- Power plants
- Groundwater purification
- Retrofitting in vehicle repair shops
- Mobile separator systems
- Helipads

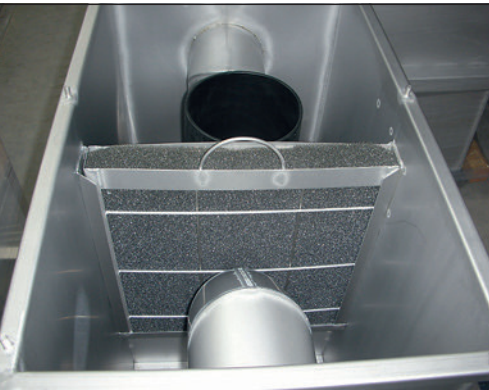
Advantages at a glance

- + Coalescence insert easily accessible via screwed maintenance opening
- + Free-standing, no earthworks necessary
- + Visible component, optionally with inspection glass
- + Fast assembly, installation and commissioning
- + Conforms to the principle guidelines contained in the EN 858 standard and the DIN 1999-100 and 1999-101 supplementary standards
- + Suitable for Biodiesel



Separating plant Class I NeutraSteel

Technical data



NeutraSteel sludge trap

Order number	Sludge trap volume	Fits up to NS	Length	Width	Total depth	Height	Nominal size	Total weight
			l	w	H	h		
			mm	mm	mm	mm	DN	kg
Steel 650	650 ^{*)}	3.00	1100	1000	1200	1015	100	70
Steel 2500	2500	6.10	2150	1123	1563	1372	150	227

^{*)} Round container

NeutraSteel coalescence separator with self-closing mechanism

Order number	Nominal size	Length	Width	Total depth	Height	Oil storage capacity	Nominal size	Total weight
		l	w	H	h			
	NS	mm	mm	mm	mm	l	DN	kg
Steel 3	3	780	423	733	507	51	100	50
Steel 6	6	950	523	858	632	81	150	55
Steel 10	10	1150	523	1008	782	103	150	75

